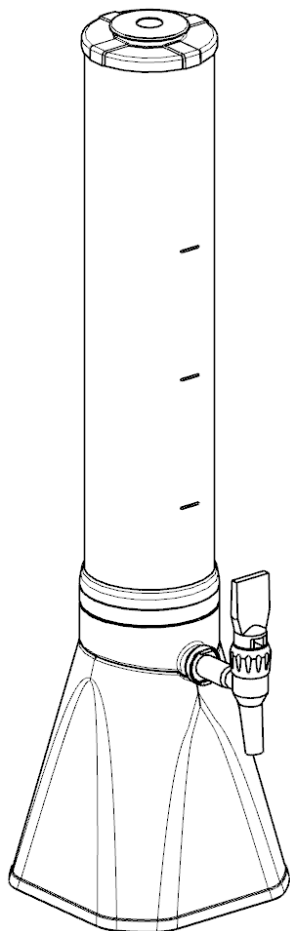




**RT 3000**  
( Beer Tower )  
**User's Manual**



**ReverseTap  
Beer Tower**

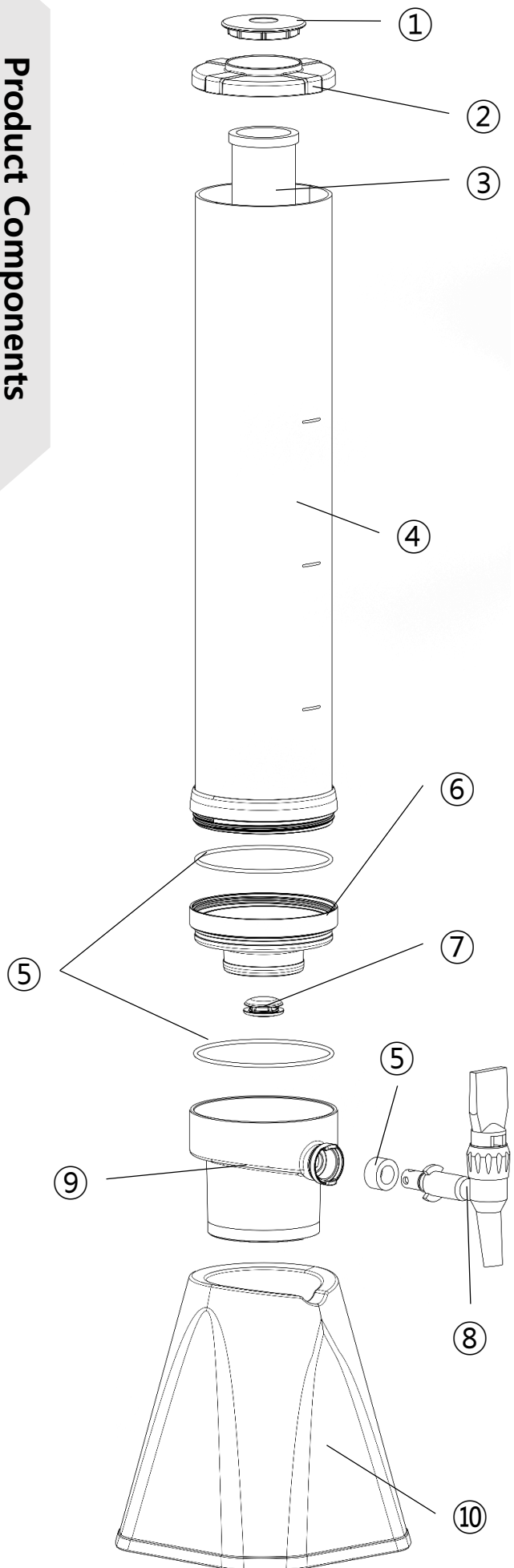


**Silicone Cap**

<b>Model</b>	RT-3000 ( Plastic food container )	
<b>Dimensions ( Weight )</b>	200 * 200 * 785 mm ( 1.6 kg WT )	
<b>Capacity</b>	Optimal Volume : 3000 mL ( 100 oz ) ..... Maximum Volume : 4512 mL (152 oz.)	
<b>Material ( Operating Temperature )</b>	Tower : Tritan, Acryl, ABS ..... Silicone cap : Silicone	-10 ~ 80°C
<b>Manufacturer</b>	NPC Co., Ltd. ( South Korea )	

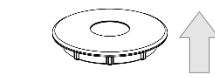
\* **Tritan** is an eco-friendly material in which bisphenol-A(BPA), an environmental hormone, has not been detected from.

- Be careful no to let any foreign substance get in between parts.
- Do not apply excessive force to the product. It may result in leakage or scratch to the product.
- Do not use ReverseTap Beer Tower for anything other than its intended use.
- Do not boil the product in boiling water nor heat directly in the flame.
- Do not stretch the cap with excessive force. It may result in product failure.
- We will not be held responsible or accept any liability for any damage to the product caused due to customer's carelessness.
- Actual product may look different from pictures on the manual.
- This user's manual may be downloaded from ReverseTap website. ( [www.reversetap.com](http://www.reversetap.com) )

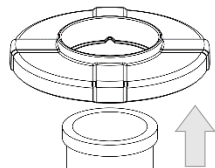


No.	부 품 명	Assembly
①	Ice Pipe Cover	Ice Pipe Assembly
②	Beer Pipe Cover	
③	Ice Pipe	
④	Beer Pipe	Beer Pipe Assembly
⑤	Silicone / O-ring	
⑥	Cap Body	
⑦	Silicone Cap	
⑧	Plastic Tap	Tap Assembly
⑨	Tap Body	
⑩	Base Body	

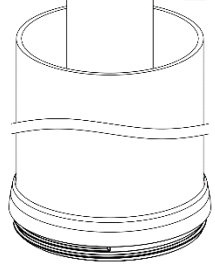
※ The O-ring and the silicone part of plastic tap are for water sealing. Please be careful not to damage them since it may cause leakage.



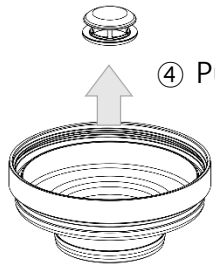
① Pull out Ice pipe cover and disassemble ice pipe assembly.



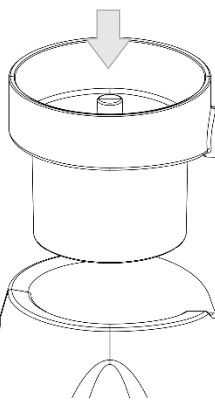
② Pull out beer pipe cover and take out ice pipe assembly.



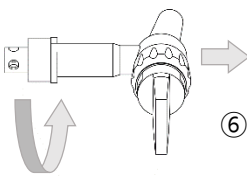
③ Twist the cap body and disassemble from beer pipe.



④ Pucker and push the silicone cap into the cap body.

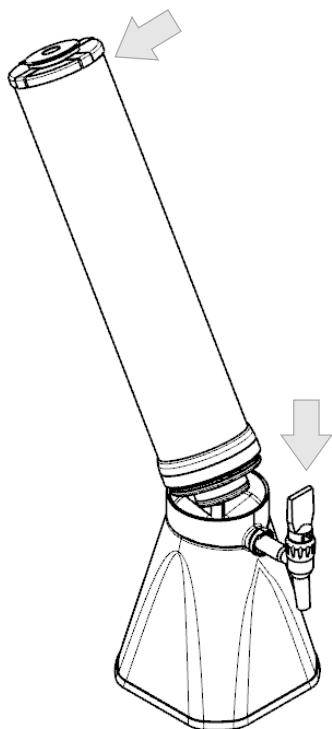


⑤ Pull down the tap body and disassemble from the cap body.



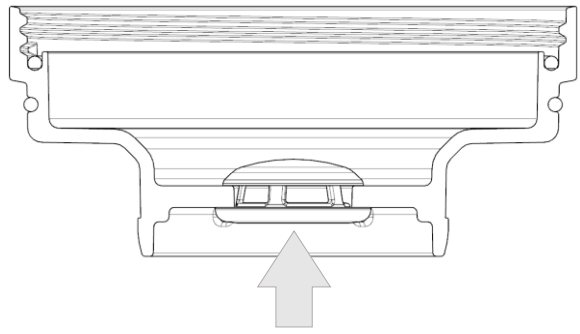
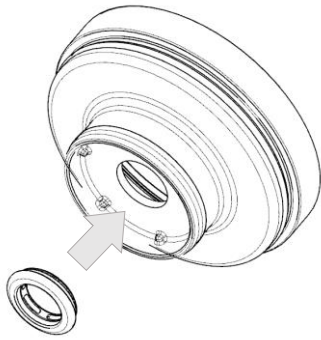
⑥ Twist the plastic tap 90° and pull out

※ The assembling shall be the reverse process of the above.



※ You can disassemble the beer pipe assembly more easily by pushing the upper end of beer pipe back, while the plastic tap body is anchored.

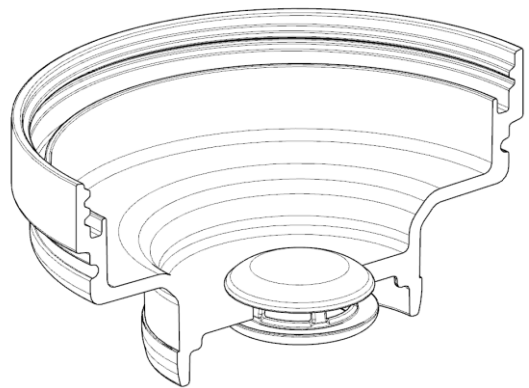
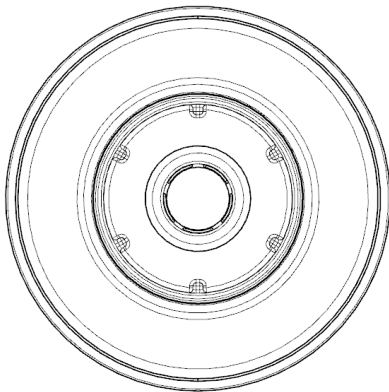
1.



- Place the silicone cap on the bottom hole of the cap body and push the cap in to assemble.

※ Put on sanitary gloves before assembling.

2.

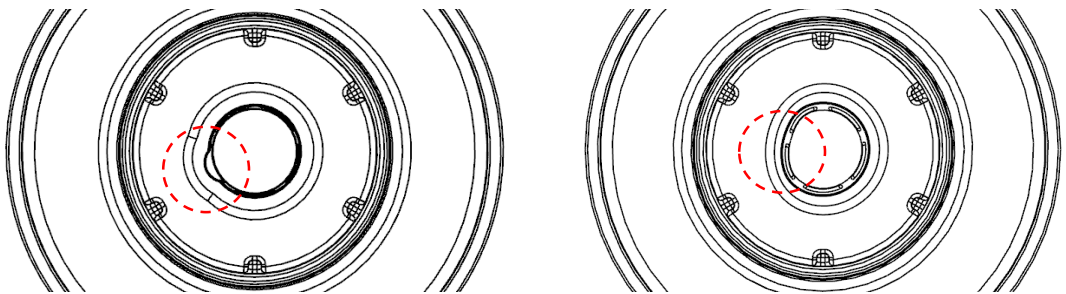


- Ensure the cap assembly is the same as the picture shown.

- The top and the bottom of the cap must be seated on the inner and the bottom surface of the cap body, respectively.

※ Be careful not to let any foreign substance get in between the cap and the cap body.

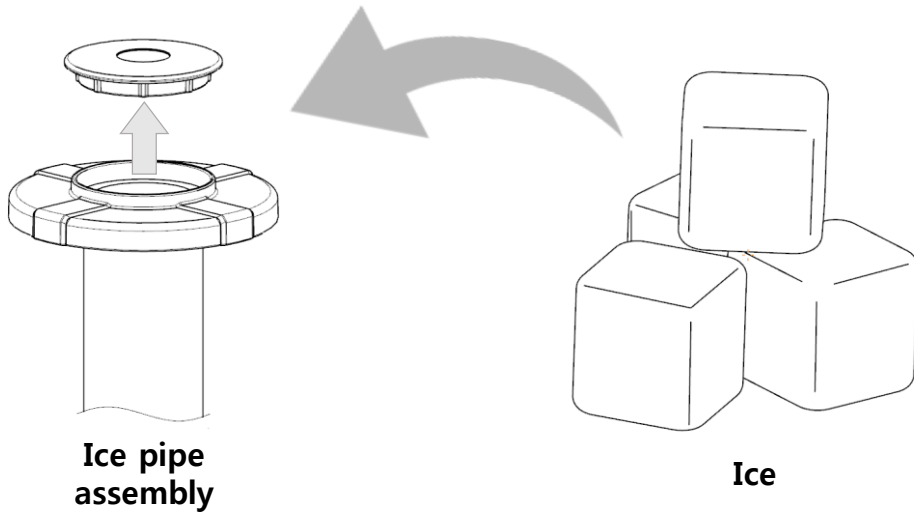
3.



- It may cause a lack of watertightness if the cap is folded or overlapped as shown in the picture.

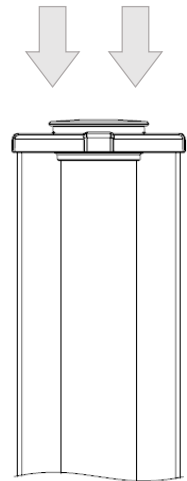
- You can fill ice in the ice pipe by opening ice pipe cover.

- ※ Please fill the ice pipe with ice prior to beverage injection or dispense with ice pipe disassembled. The ice pipe assembly may float if beer is dispensed while the ice pipe is empty.
- ※ Do not freeze ice pipe with water filled. It may damage the ice pipe.



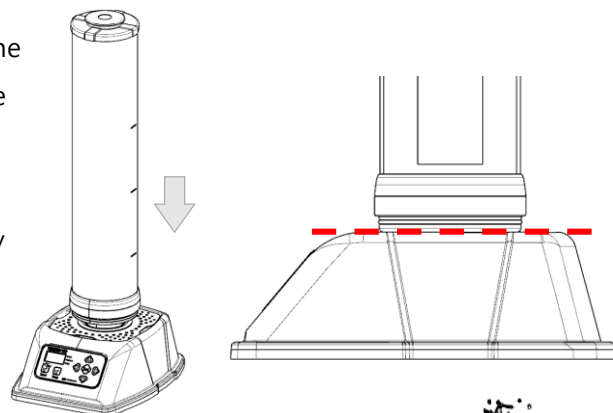
**1.**

- Fill the ice pipe with ice before using the ReverseTap Tower with dispenser.
- Ensure the ice pipe and beer pipe is aligned parallel as the picture shown.
- Close beer pipe cover and ice pipe cover tightly.



**2.**

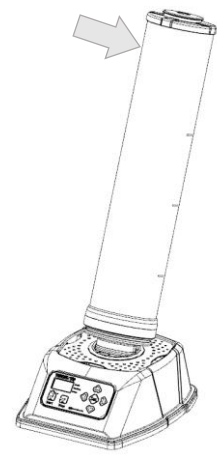
- To assemble Beer Tower to the dispenser, grab the beer pipe assembly with two hands and press the Beer Tower with the center of cap and nozzle is properly aligned.
- Ensure the bottom of the cap body is horizontally aligned.



- ※ The insertion may be hard due to friction between the cap and the nozzle if they are dry, so rinse the Fit or the nozzle with clean water beforehand for an easy use.

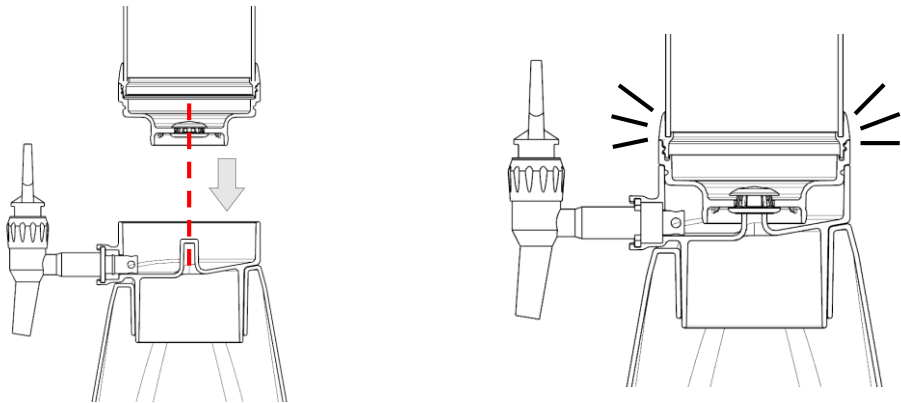
3.

- After the beverage filling is complete, disassemble the Tower from the dispenser safely.
- It is easier to disassemble if you grab the upper part of the beer pipe and disassemble in a manner of pulling or pushing it back and forth.



4.

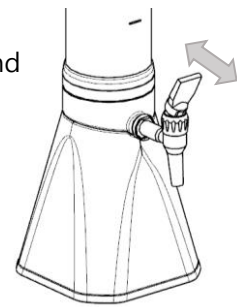
- To assemble the beer pipe assembly to the tap assembly, align the center of silicone cap and the extruded pin of the tap body and press the beer pipe assembly down to the tap assembly to the end.



5.

- You can pour beverage by pulling or pushing the plastic tap back and forth.

※ **After ReverseTap Beer Tower is used, it is recommended to disassemble each part and wash them in clean water.**



- We recommend users to disassemble, wash in clean water, and keep ReverseTap Beer Tower after its use. ( Refer to "How to disassemble ReverseTap Beer Tower" )
- ReverseTap Beer Tower is dishwasher within 80°C water temperature.
- Do not use scrubs or polishing powders with rough surfaces for washing.

※ **How to wash RA CR1 (silicone cap)**

- Rub silicone cap softly in a diluted neutral detergent with warm water and then rinse with clean water.
- Use of dishwasher is possible with good drainage tools such as net shaped container.
- After washing, gently shake off or tap onto a clean dry towel to dry.
- For more detailed demonstration, watch uploaded video clip on ReverseTap website.